

CRZ2 SHXDIVCTFF C

SAFETOUCH Shower Range

Craze2 Adjustable Rigid Riser
Diverter Bar Shower



Features:

- All in one box - pack includes bar shower valve, hose, telescopic riser rail and rub-clean anti-limescale drenchd and multi function handset so nothing to buy separately
- Supplied with a fast fit Wallmount 12 fixing kit with built-in front of wall isolation valves on both the hot and cold feed, making it simple to fit, maintain and replace.
- Safe Touch technology ensures the valve stays cool to the touch while in use
- Telescopic riser so you can adjust the height to suit your space. Giving you the flexibility to fit in a wet room/walk in shower or over a bath.

Product Certifications:



WRAS Cert. Number: 2306909
WRAS Expiry Date: 30/06/2028



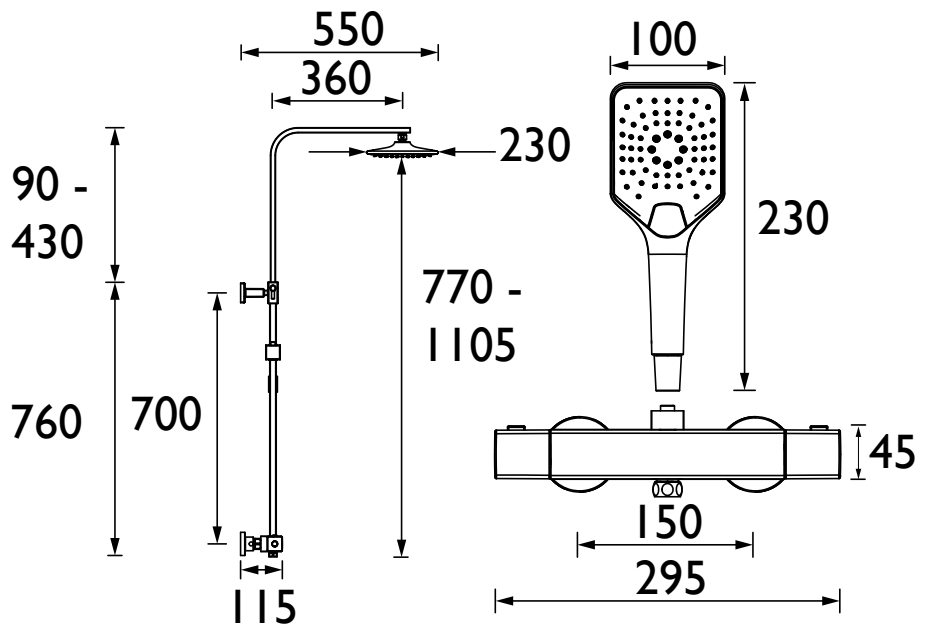
For more products, visit our website:
<http://www.bristan.com>



Specification

Product Type:	Bar Shower
Main Construction Material:	Zinc Alloy; Stainless Steel; ABS
Connection Inlet:	1/2" Compression
Connection Outlet:	G 1/2" & Riser Outlet
Number of Controls:	2
Flow Control Valve Type:	25mm Cartridge
Plumbing System:	Suitable for high pressure systems
Minimum Dynamic Pressure: (Bar)	1.0
Maximum Dynamic Pressure: (Bar)	5.0
Maximum Static Pressure: (Bar)	10
Maximum Hot Water Temperature: (°C)	80
Pre-set Outlet Temperature: (°C)	38
Isolation Included:	Yes
Check Valve Supplied:	Yes
Shower Kit:	Adjustable Rigid Riser Shower Kit

Dimensions (measurements in mm)



Flow Rates (l/min)

System Pressure (bar)	1	2	3	4	5
Through Handset (mixed)	5.5	7.8	9.6	10.8	11.8
Through Fixed Head (mixed)	5.8	8.7	10.2	11.5	12.5

TECHNICAL DATA SHEET



BRISTAN