

Vernis Shape

2-hole rim mounted bath mixer

Surfaces: **matt black** Art. no. : **71452670**



Description

product features

- designed to run 1 function
- spout 110 mm long
- Centre distance: 180 mm
- ceramic shut-off cartridges hot/cold 90°
- Operating pressure from 0.2 bar
- Connection type: G 3/4
- WRAS 2204080
- WRAS 2204080 - Approval letter

Article Details

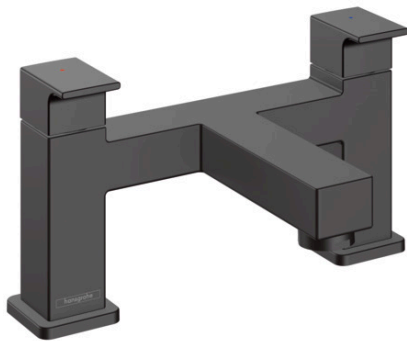
Price excl. VAT

£ 243.43

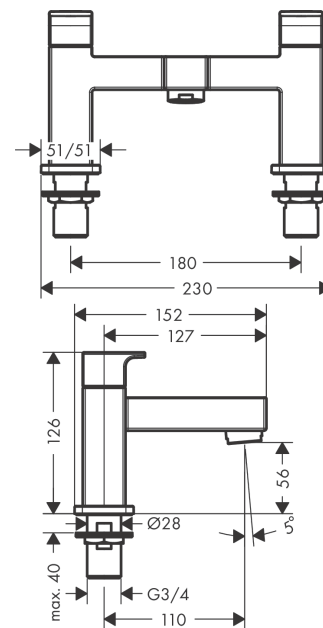
Certificates



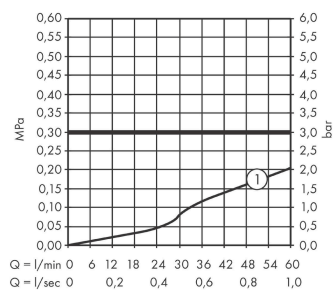
Product image



Scale drawing



Flowchart

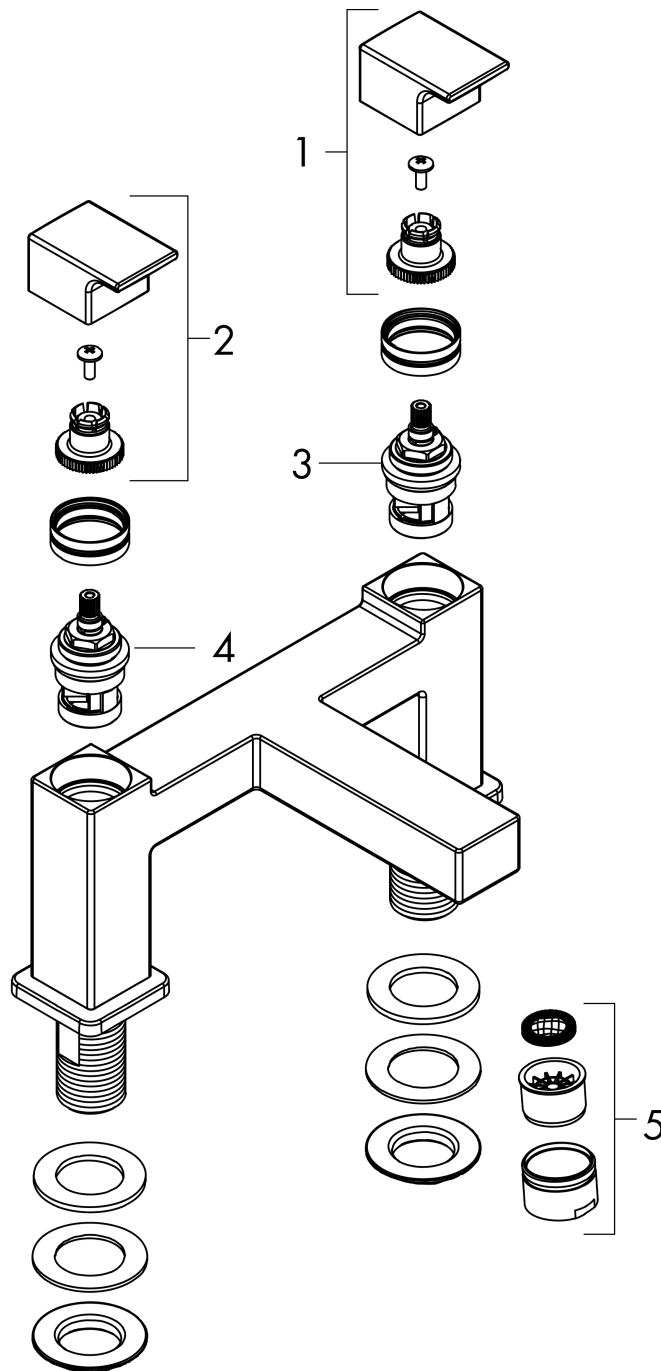


Vernis Shape
2-hole rim mounted bath mixer
 Surfaces: **matt black** Art. no. : **71452670**



Exploded Drawing

Year of production: >04/21



Vernis Shape
2-hole rim mounted bath mixer
 Surfaces: **matt black** Art. no. : **71452670**



Spare part list

Year of production: >04/21

Pos.	Description	Art. no.	Price	PU
1	handle for cold water	93953670	-	1
2	handle for hot water	93952670	-	1
3	shut off unit left closing	93945000	-	1
4	shut off unit right closing	93944000	-	1
5	aerator cpl.	93950670	-	1