



Applications

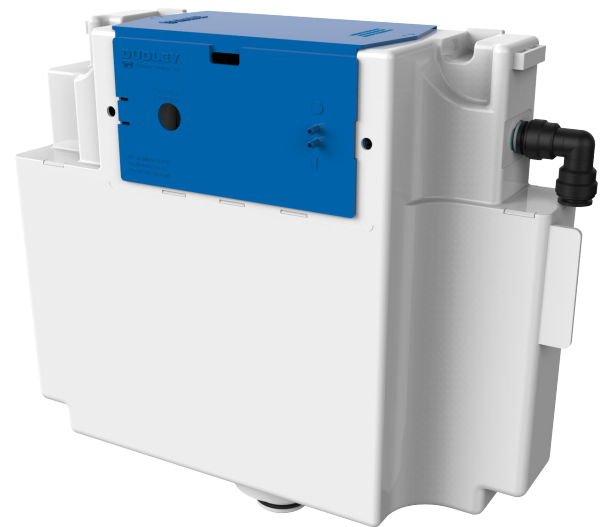
Designed specifically for use in bathroom furniture. Also ideal for use behind tiles and partitioning and in most other concealed applications.

Water Saving

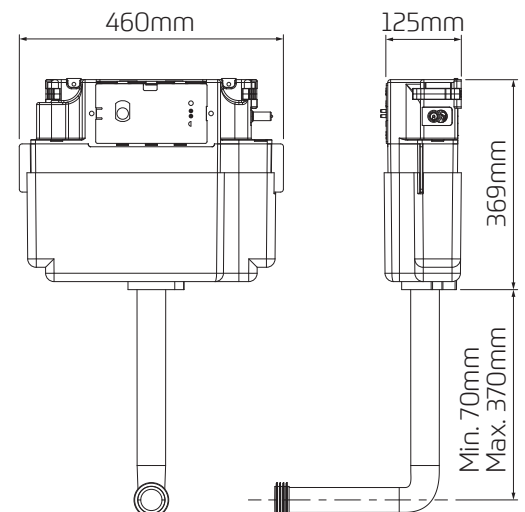
- ~ 6/4 litre dualflush
- ~ Quickly and easily converts before or after installation to 5/3 or 4/2.6 litre dualflush
- ~ 6/5/4 litre single flush also available
- ~ Compact delay fill Hydroflo inlet valve only allows cistern to start refilling once flushing is complete
- ~ Approved by the European Water Label Scheme
- ~ Supports BREEAM, bespoke flush volumes available upon request.

Features

- ~ Supplied factory assembled for quick and easy installation
- ~ WRAS approved Dudley Niagara flushing valve
- ~ WRAS approved Dudley Hydroflo Compact inlet valve
- ~ Push-fit water inlet elbow
- ~ Push-fit flushbend
- ~ Integral isolating valve
- ~ Button, plate or sensor can be installed up to 250mm from cistern
- ~ Compact dimensions fit neatly into furniture units as small as 500mm(w) x 200mm(d) x 800mm(h)
- ~ Front and top access panels
- ~ Unique cistern fixing brackets
- ~ Removes need to cut access holes into vanity tops
- ~ Side inlet
- ~ Can be converted to fluid category 5 backflow protection
- ~ Internal overflow warning
- ~ The cistern complies with the Regulator's Specification.



Dimensional Data



Technical Data

Material (Cistern)	High Density Polystyrene (PS)
Inlet	Dudley Hydroflo Compact: Side
Outlet	Dudley Niagara: Pneumatic
Flush Volume	Dual Flush 6/4, 5/3, 4/2.6 Litre or Single Flush 6, 5, 4 Litre