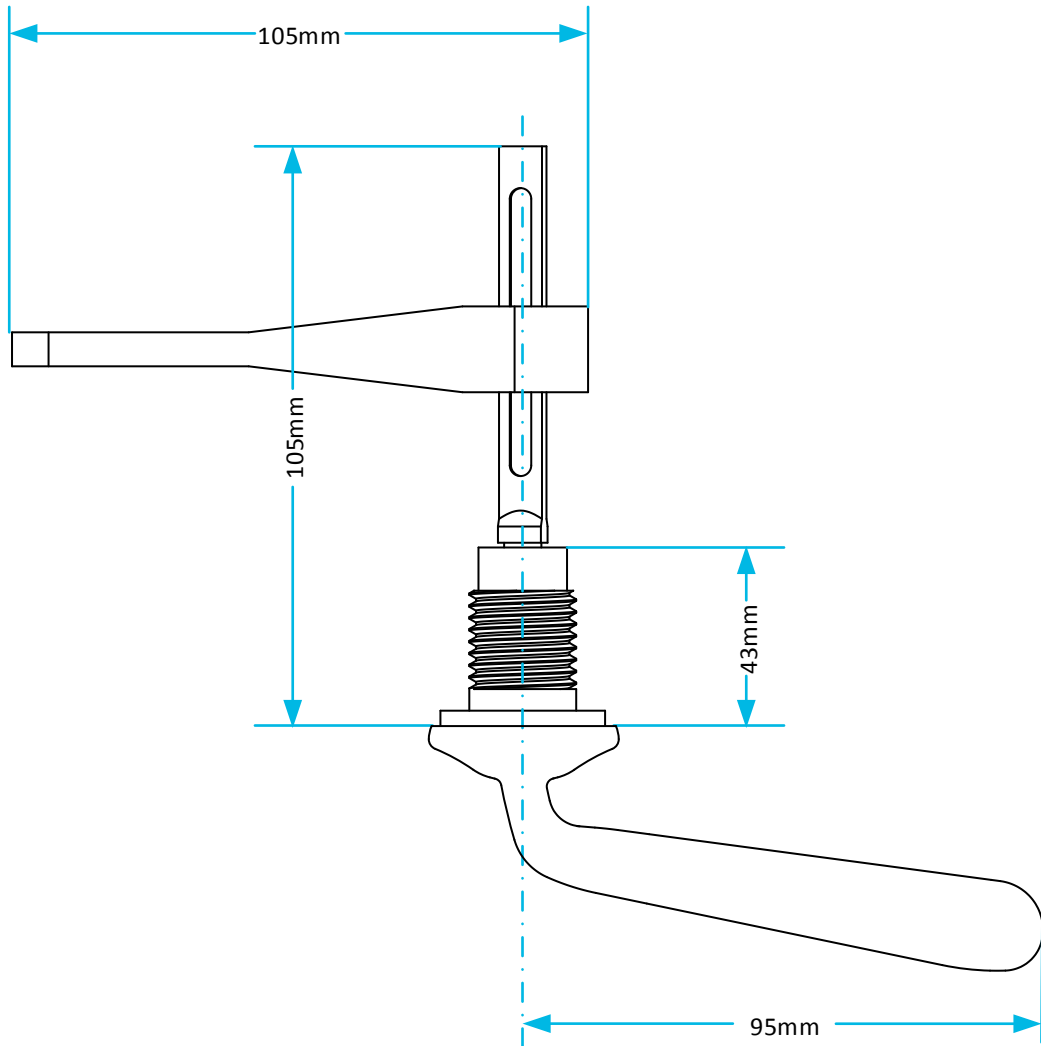


Technical Data Sheet



© Viva Sanitary
18/08/2015

Code:

PP0008D

Description:

½" Toilet Handle Kit