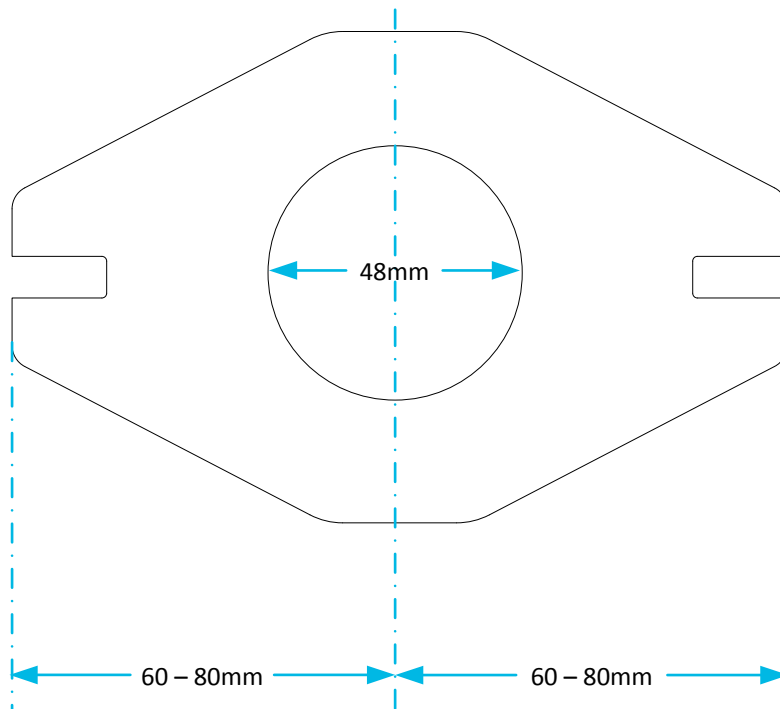
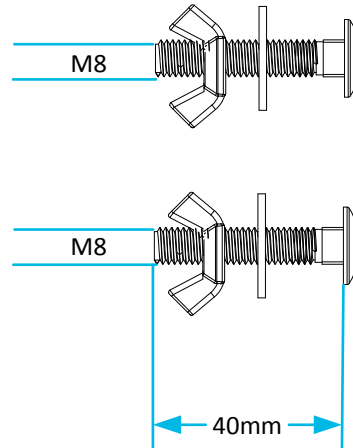
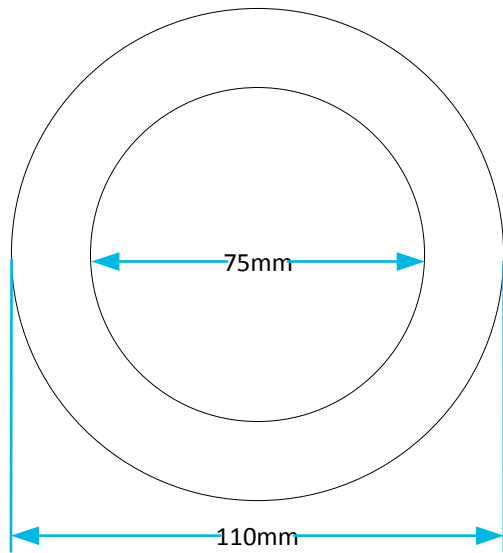


Technical Data Sheet



© Viva Sanitary
18/08/2015

Code:	PP0030/A	Description:	1 ½" Close Couple Kit (Flat Plate)
-------	----------	--------------	------------------------------------