

MIO 1/2 C

MIOS Tap Range

Mios 1/2 inch
Basin Taps Chrome



Specification

Product Type:	Bathroom Taps
Main Construction Material:	Brass
Mount Type:	Deck
Handle Type:	Paddle
Connection Inlet:	1/2" BSP
Connection Outlet:	M20 4.5lpm Flow Limited Aerator
Number of Tap Holes:	2
Valve/Cartridge Type:	1/2" Ceramic Disc Valve - 1/4 turn
Plumbing System Requirements:	Suitable for all plumbing systems
Minimum Dynamic Pressure (bar):	0.2 bar
Maximum Dynamic Pressure (bar):	5 bar
Maximum Hot Water Temperature °C:	65°C
Maximum Static Pressure (bar):	10 bar
Isolation Included:	No

Features:

- Long life 1/4 turn ceramic disc valves for added durability and smooth control.
- Robust metal fixing nut to secure the tap in place reducing the risk of loosening over time.
- A hard-wearing, flawless, scratch resistant chrome finish that lasts for years. Salt spray tested to ensure added durability.
- Supplied with pre-fitted flow limiters to reduce water flow to 4.5l/min per spout
- 5 year parts and 1 year labour guarantee for peace of mind.

Product Certifications:



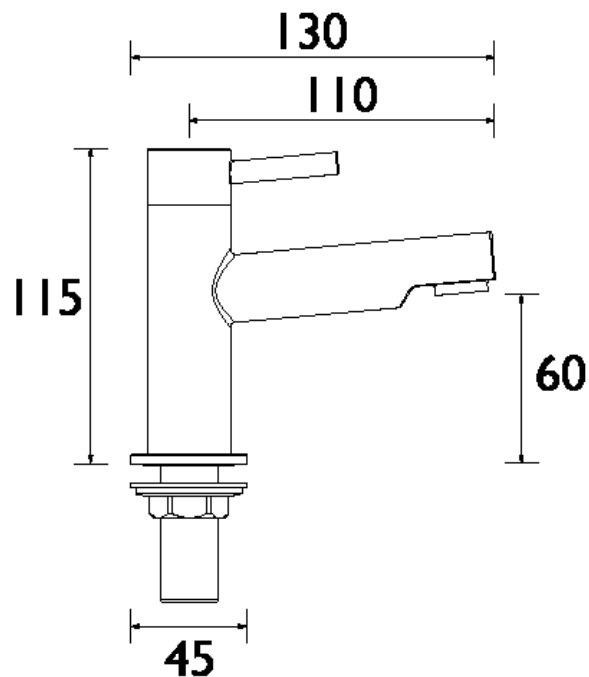
WRAS Certificate No: 240703010
WRAS Expiry Date: 31/07/2029



For more products, visit our website:
<http://www.bristan.com>



Dimensions (measurements in mm)



Flow Rates (l/min)

System Pressure (bar)	0.2	0.5	1	2	3	5
MIO 1/2 C (Cold)	1.8	3	3.8	4	4.3	4.3
MIO 1/2 C (Hot)	1.8	3	3.8	4	4.3	4.3

TECHNICAL
DATA
SHEET



BRISTAN

D5*