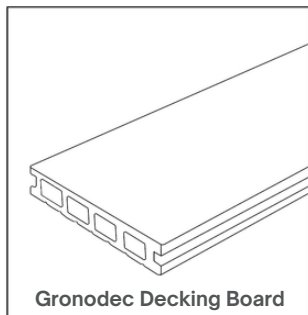


Gronodec Premier

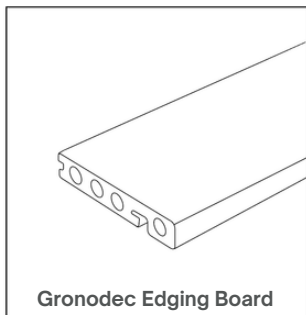
Installation guide



Components



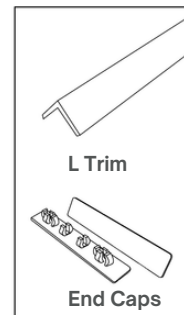
Gronodec Decking Board



Gronodec Edging Board

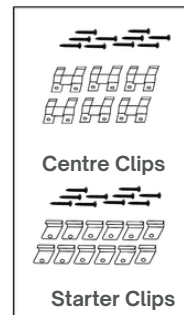


Gronodec Fascia Board



L Trim

End Caps

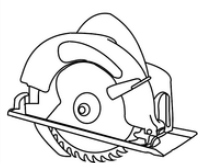


Centre Clips

Starter Clips

Accessories

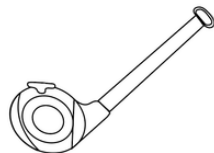
Tools required



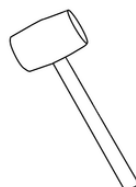
Circular Saw



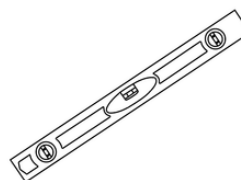
Power Drill



Tape Measure



Rubber Mallet



Spirit Level



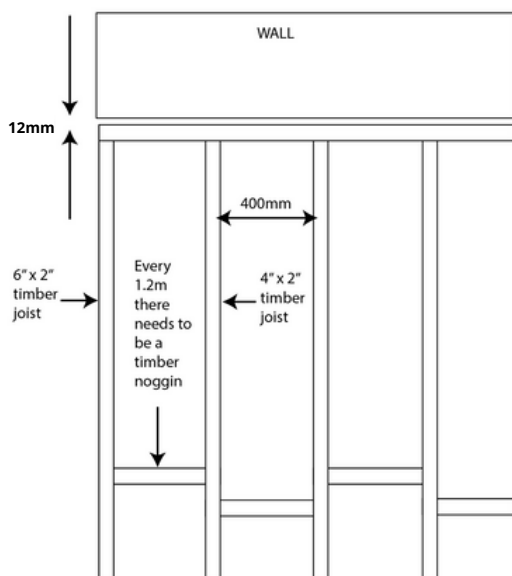
Safety Glasses



Safety Gloves

Steps

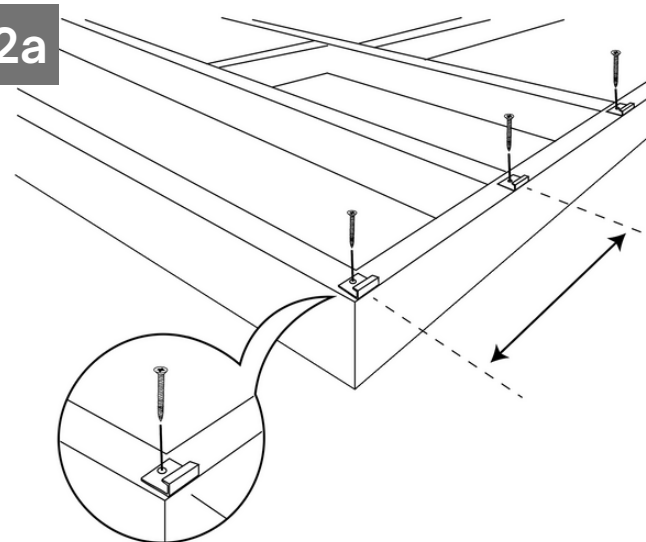
1



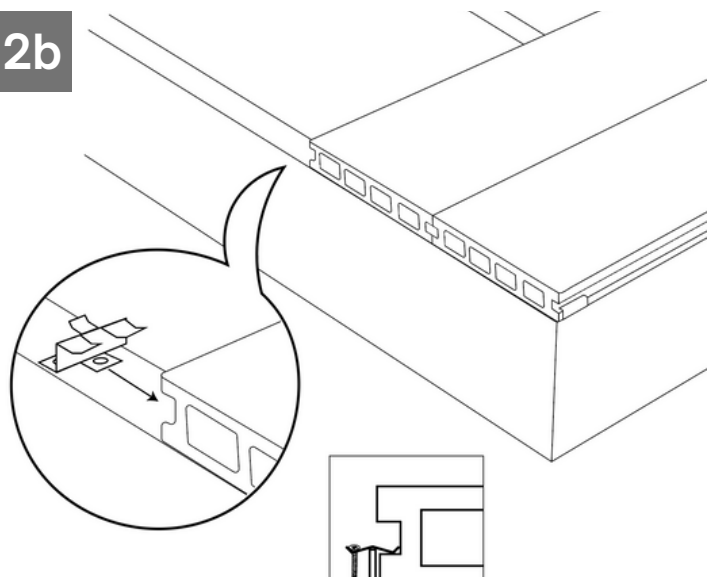
You will need to construct a framework using tanalised timber to support your decking. Leave a 12mm gap between the edge of the framework and any adjoining walls to allow for air flow and heat expansion.

400mm between joist centres, secure the joists in position with timber noggins every 1.2m.

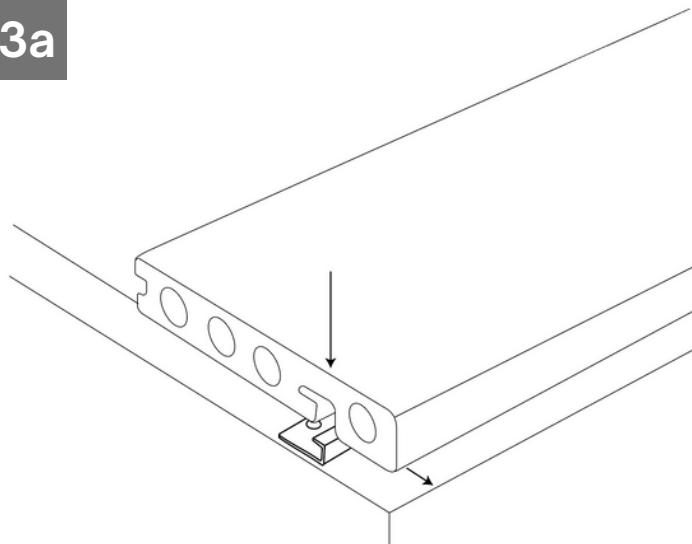
2a



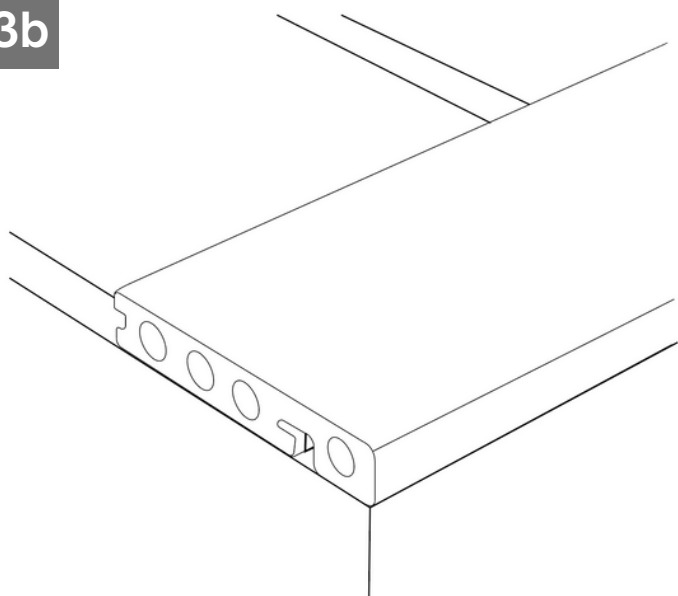
If you are starting with a standard Gronodec board, then locate the starter clips in line with the joists in the position you want to install your first board and firmly secure in place with the screws provided.

2b

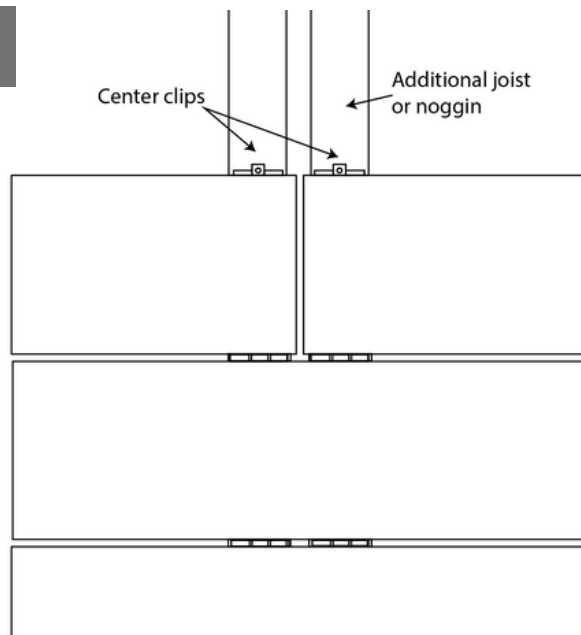
Next push all centre clips firmly into position along the groove of your Gronodec board in line with joists and secure tightly with screws. Locate the next board in position and push it firmly into the centre clips until locked securely in place. Repeat step 2b until all boards have been secured.

3a

Locate the groove of the Gronodec edging board above the starter clip and lower into position, gently push the board forward into the locked position.

3b

The Gronodec edging board is now fully locked into position.

4

If you need to butt two boards together, ensure that the ends of both boards have their own clip. An additional joist or noggin will be required as support. The clips must be located 12mm in from the end of each board. Allow a 6mm expansion gap between boards (9mm if installing in cold weather).

Installation Check List

- It is recommended to store Gronodec in the local climate for at least two days to allow it to season, which might minimise contraction and shrinkage
- Gronodec should be stacked up tidily on the solid ground after being raised, uneven stacking will lead to the deformation of decking
- 400mm between joist centres, secure the joists in position with timber noggins every 1.2m.
- 12 centre clips & screws per board (a clip for each joist)
- 12 starter clips and screws per board (a clip for each joist)
- Please add a noggin when joining two boards, ensuring two separate clips are used for each board
- 12mm expansion gap between Gronodec and solid surface, and ancillary edge support
- Use our Gronodec spacer to ensure your expansion gaps are correct
- To install the fascia board, apply a good-quality adhesive to the back surface of the board, and then position the board so it is flush with the top of the deck boards