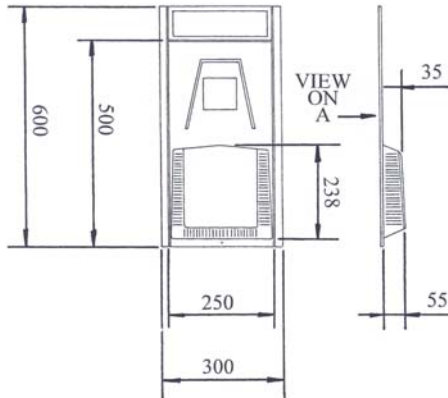
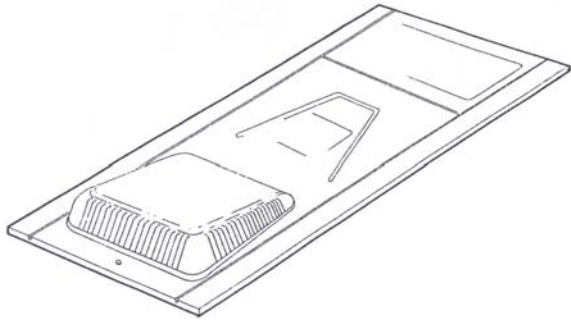
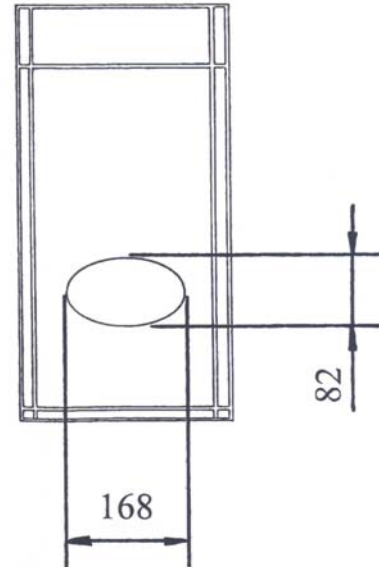


## Refurbishment Slate Vent

CODE **GRSV30/25R**



VIEW ON A



### Description:

The GRSV30/25R Refurbishment Slate Vent is designed to be retro fitted without the need to cut slate battens. It is manufactured as standard for 600 x 300 slates but can be easily trimmed to fit 500 x 250 slates using the pre marked cut lines.

It can be used for both high and low level roof ventilation requirements.

The hood of the GRSV30/25R features a 4mm fly screen to prevent blockage from falling debris and entry of large insects into the roof space.

The GRSV30/25R has been extensively independently wind tunnel tested to the following standards:-

BS 6367 Deluge test 225mm/hour rainfall.  
Driving rain test down to a roof pitch of 15 degrees with an up roof wind speed of 13m/s and a rainfall rate of 200mm/hour to generate a fine penetrative spray.

For detailed fitting instructions see MBP 8083.

COLOURS	Black, lightly textured finish
PACKING DETAILS	Packed in 20's in cardboard box
WEIGHT	12.4kg per box
MATERIAL	Polypropylene
MANUFACTURING PROCESS	Injection Moulded
FREE AIRFLOW	10,000mm <sup>2</sup>

### References (Extraction):

BSI : BS5534  
DOE : Building Regs F1, H1

### References (Ventilation):

BRE : DIGEST 262/270  
BSI : BS5250  
BSI : BS5572  
DOE : Building Regs F2  
NHBC: Standards 7.2  
NHBC: Good Practise Guide

MANTHORPE BUILDING  
PRODUCTS LTD MANTHORPE  
HOUSE  
BRITTAIN DRIVE  
CODNOR GATE BUSINESS PARK  
RIPLEY  
DERBYSHIRE DE5 3ND

TEL: 01773 303 000  
FAX: 01773 303 300  
EMAIL:  
[mbp.care@manthorpebp.co.uk](mailto:mbp.care@manthorpebp.co.uk)  
WEB:  
[www.manthorpebp.co.uk](http://www.manthorpebp.co.uk)

DRN M.A Date 21.06.19

DRG No

Issue

The company maintains a policy of continuous development of its product range and reserves the right to amend the specification without notice.

**MBP 8081**

**C**